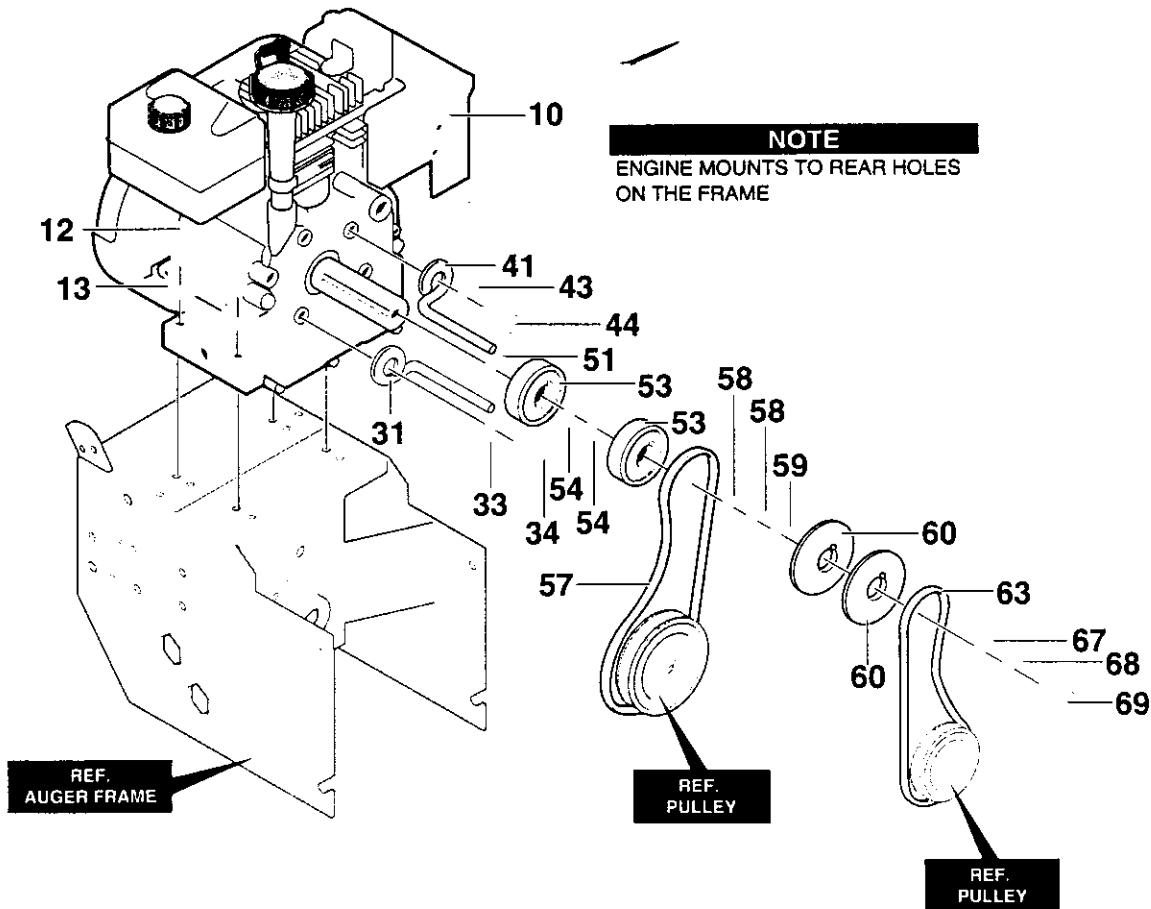


PROD.NO: 968 87 08-10
 ENGINE: Tecumseh
 HMSK 80-155480T

SPAREPARTS
107 26 53-64

ENGINE ASSEMBLY



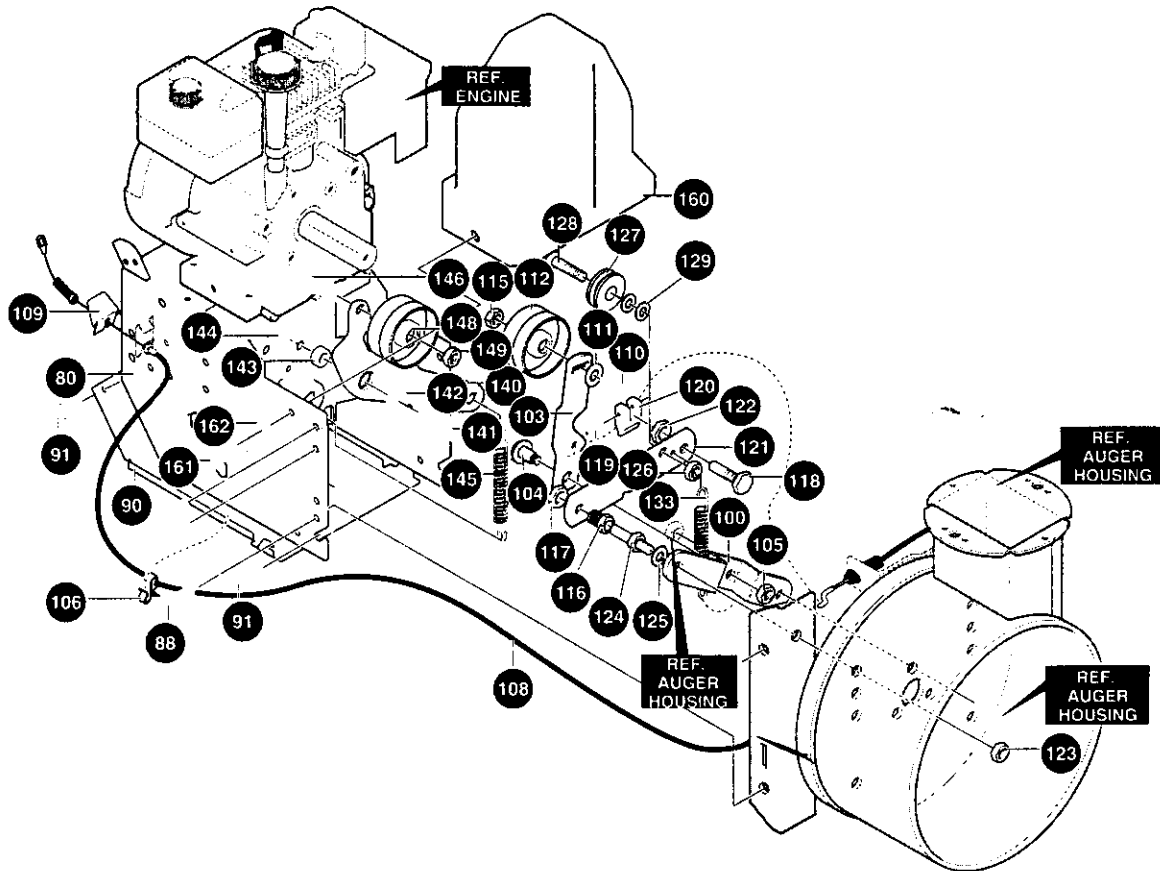
All unnumbered items are interchangeable with opposite side

Note: Always use original equipment parts. Use of service/replacement parts other than original parts may void your warranty.

REF NO.	PART NO.	PART NAME
10		ENGINE, 8HP (See Engine Manual)
12	533 00 95-53	SCREW, 5/16-18
13	810 04 05-00	WASHER, HVSPTLK
31	533 00 39-49	GUIDE, ROD BELT RH
33	810 04 05-00	WASHER, .328X.60X.09
34	533 07 11-48	SCREW, 5/16-24X 1.00
41	533 00 39-49	GUIDE, ROD BELT RH
43	810 04 05-00	WASHER, .328X.60X.09
44	533 07 11-48	SCREW, 5/16-24X 1.00
51	533 57 98-55	WASHER, CRANKSHAFT
53	533 57 98-54	PULLEY, HALF

REF NO.	PART NO.	PART NAME
54	533 57 98-61	WASHER, FLAT .752 X .91 X .02
57	533 57 99-32	BELT, V 3L 33.13LG
58	533 07 38-40	FLATWASHER .765X1.12X.06
59	533 58 62-51	SPACER, SLEEVE
60	533 58 62-53	PULLEY, ENGINE
63	533 58 54-16	BELT, V 4L 38.1LG
67	533 05 06-77	WASHER, FLAT
68	533 07 10-63	WASHER, .393X.68X.10
69	533 07 10-15	SCREW, 3/8-24X1.00

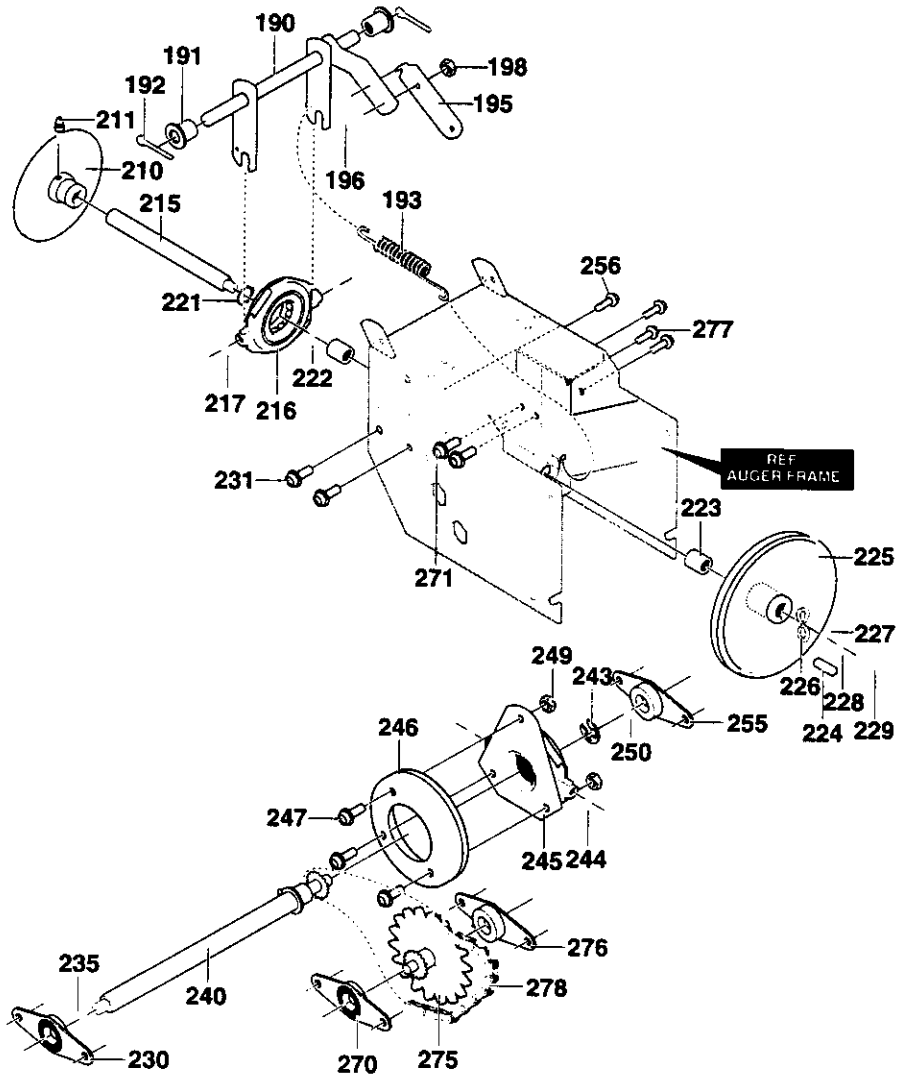
FRAME COMPONENTS ASSEMBLY



REF NO.	PART NO.	PART NAME
80	533 34 03-86	FRAME ASSY
88	533 07 09-82	SCREW, 5/16-18X .50
90	533 58 30-31	COVER, BOTTOM
91	533 07 09-78	SCREW, 1/4-20X .63
100	533 76 11-95	PLATE, CLUTCH ARM
103	533 76 11-96	ARM-CLUTCH CABLE
104	533 71 02-00	BOLT, SH. 3/8-16
105	533 78 00-72	NUT, 3/8-16
		REGHXCTRLK
106	533 34 06-82	CLIP, CABLE TINN
108	533 76 11-53	CABLE, AUGER
109	533 34 08-69	SHIELD, CABLE GUARD
110	533 58 57-81	BOLT, 3/8-16X1.25
111	533 99 64-18	WASHER, FLAT .506 X75 X .024
112	533 31 38-43	PULLEY, IDLER
115	533 04 15-29	NUT, 3/8-16
116	533 58 54-70	BOLT, BRAKE ARM
117	533 58 56-08	NUT, 9/16-18 JAMLOCK
118	533 58 54-46	BOLT-BRAKE ARM ADJ.
119	533 07 38-01	PIN SPRING
120	533 58 15-40	PAD, BRAKE
121	533 76 11-97	BRACKET
122	533 58 56-09	NUT, 1/2-20 JAM LOCK
123	873 22 06-00	NUT, 3/8-18 REGHXCTRLK

REF NO.	PART NO.	PART NAME
124	533 71 01-38	STUD, BRAKE ARM
125	533 07 10-63	WASHER, REGSPTLK .393X.68 X .10
126	533 07 38-26	NUT, 1/4-20 REGHEXCTRLK
127	533 04 83-06	PULLEY
128	533 05 83-36	SHOULDER BOLT
129	533 12 03-85	WASHER, FLAT .250 X .56 X .049
133	533 33 90-17	SPRING, IDLER
140	533 57 98-72	LEVER, IDLER ARM TRACTION
141	533 18 00-77	SCREW, 5/16-18X .75
142	533 07 37-95	FLATWASHER, .328X1.25X.075
143	533 57 98-85	BUSHING, IDLER LEVER
144	533 07 10-38	NUT, 5/16-18 HEXNYL
145	533 31 38-54	IDLER SPRING
146	533 18 01-24	SCREW, 3/8-16X1.25
148	533 31 38-43	PULLEY, IDLER
149	533 04 15-29	NUT, 3/8-16
160	533 58 07-72	COVER, BELT
161	533 07 09-78	SCREW, 1/4-20X .63
162	533 07 10-67	FLATWASHER, .281X .63X.065

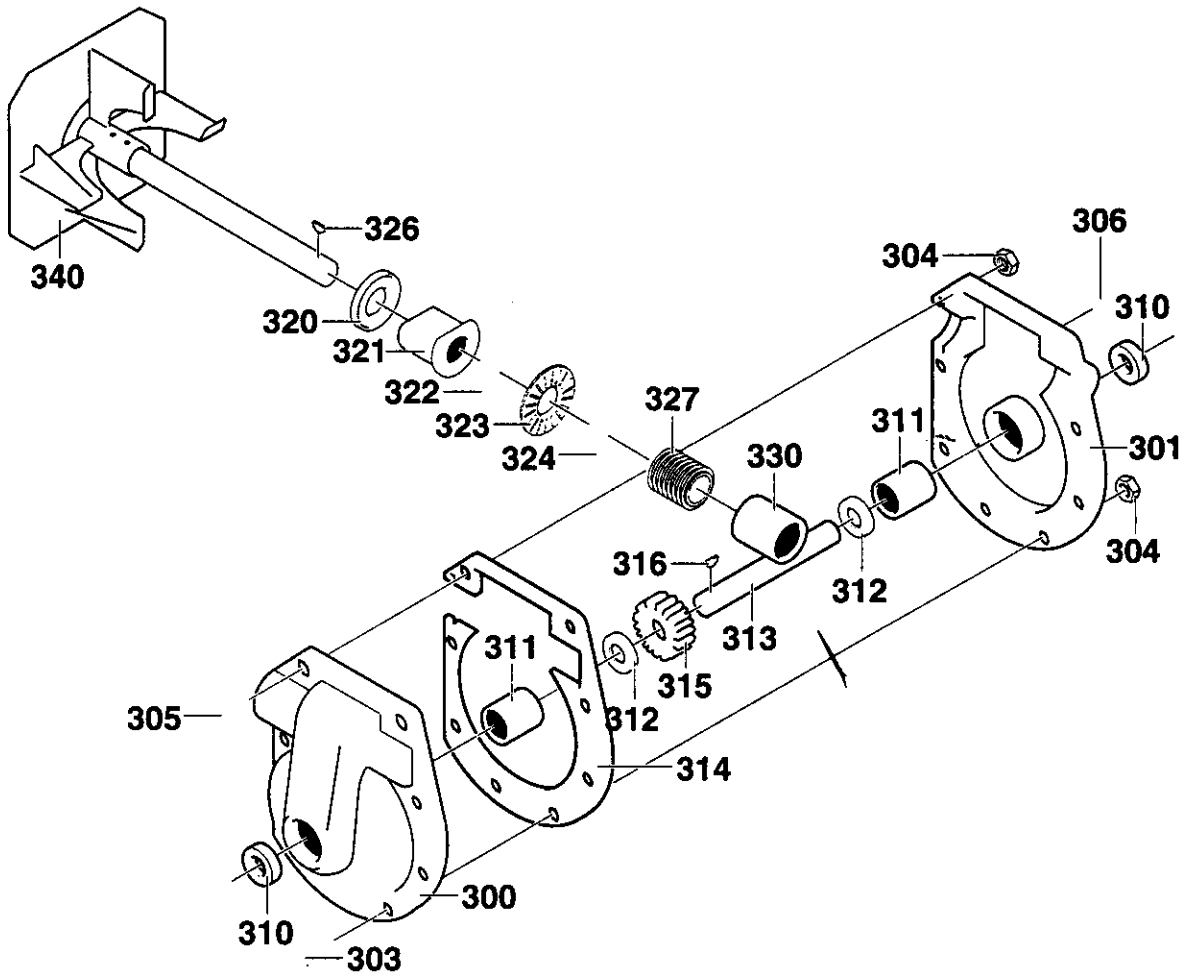
DRIVE COMPONENTS ASSEMBLY



REF NO.	PART NO.	PART NAME
190	533 57 99-41	LEVER, ASSY TRACTION
191	533 31 38-53	BEARING, FLANGE
192	533 13 71-85	PIN, COTTER
193	533 31 39-19	SPRING, RETURN
195	533 57 99-37	LEVER, SPRING
196	533 01 18-71	SCREW, 1/4-20X .63
198	533 07 38-26	NUT, 1/4-20 REGHEXCTRLK
210	533 58 31-63	DISC, ASSY
211	533 58 32-06	ZERK, GREASE
215	533 58 31-55	SHAFT, HEX TRACTION
216	533 08 55-01	BEARING, TRUNION
217	533 07 10-74	FLATWASHER, .53 X1.00X.063
221	533 07 38-11	RING, RETEX
222	533 58 09-69	FLATWASHER, .680X1.12X.060
223	533 04 38-46	BEARING, BALL
224	533 58 09-70	KEY, SQUARE
225	533 58 09-61	PULLEY, V3L 6.50X .56
226	533 58 09-65	WASHER, WAVE
227	533 57 89-62	FLATWASHER, .281X1.00X.063
228	533 12 03-80	WASHER, .263X.49X.07
229	533 18 00-20	SCREW, 1/4-20X .75 HHC

REF NO.	PART NO.	PART NAME
230	533 33 41-63	BEARING & RETAINER
231	533 07 09-82	SCREW, 5/16-18X .50
235	533 57 98-58	WASHER, .502X .75X.0605
240	533 57 98-97	HEX, ASSY#40-8T
243	533 43 56-48	RING, RETEX
244	533 07 10-74	FLATWASHER, .53 X1.00X.063
245	533 33 70-29	BEARING, TRUNION
246	533 31 38-83	WHEEL, ASSY FRICTION
247	533 01 18-71	SCREW, 1/4-20X .63
249	533 07 10-34	NUT, 1/4-20 HEXKEPS
250	533 57 98-58	WASHER, .502X .75X.0605
255	533 33 41-63	BEARING & RETAINER
256	533 07 09-82	SCREW, 5/16-18X .50
270	533 33 41-63	BEARING & RETAINER
271	533 07 09-82	SCREW, 5/16-18X .50
275	533 58 30-10	JACK, ASSY#41-36T&7T
276	533 33 41-63	BEARING & RETAINER
277	533 07 09-82	SCREW, 5/16-18X .50
278	533 57 98-67	CHAIN, ROLLER #42 X 40P

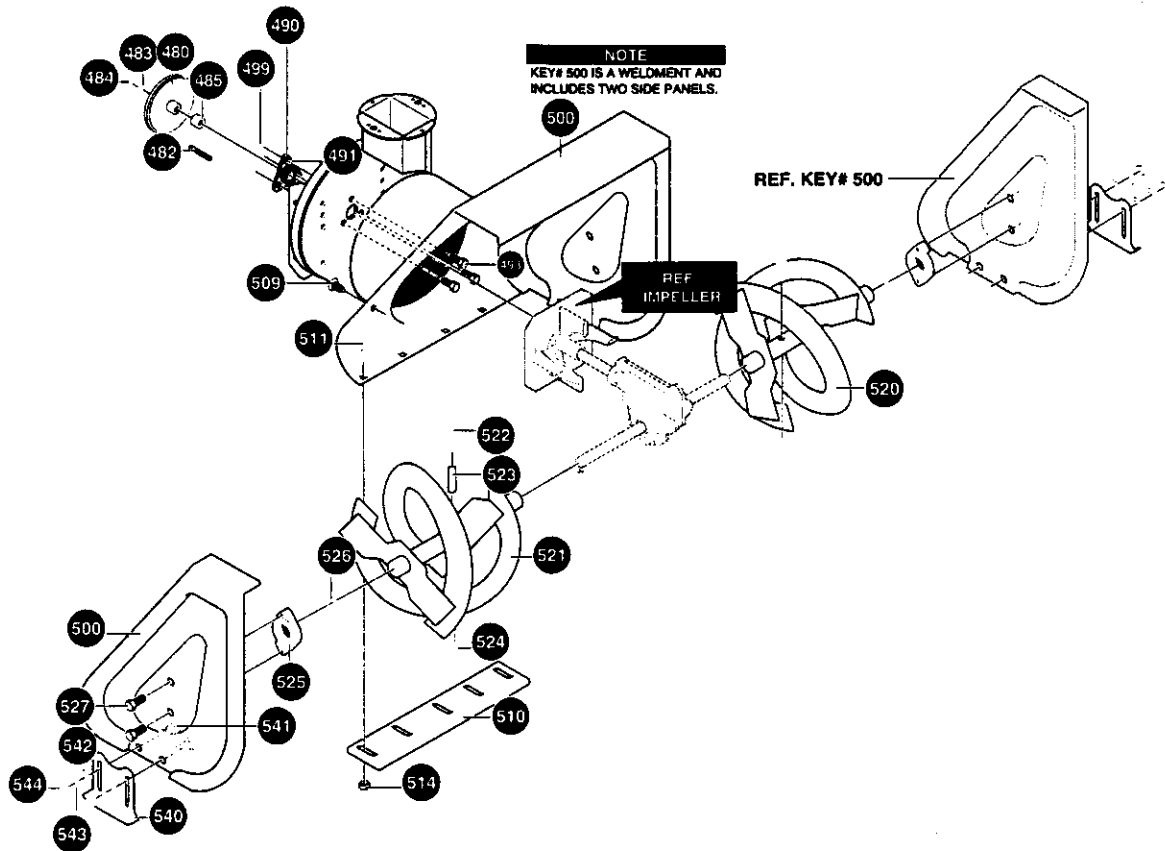
GEAR CASE ASSEMBLY



REF NO.	PART NO.	PART NAME
300	533 00 08-96	CASE, GEAR RH
301	533 00 08-95	CASE, GEAR LH
303	533 91 08-28	SCREW, 1/4-20X1.00
304	533 07 11-00	NUT, 1/4-24
305	533 33 04-34	SCREW, 5/16-24 X 1.50
306	533 31 38-72	PIPE PLUG
310	533 78 01-51	SEAL, OIL
311	533 31 38-70	BEARING, SLEEVE
312	533 31 38-71	WASHER, FLAT
313	533 76 05-29	SHAFT, AUGER
314	533 00 08-97	GASKET, GEAR CASE
315	533 31 38-61	WORM GEAR
316	533 07 39-05	KEY, WDRF #91
320	533 31 39-14	RING, QUAD
321	533 58 31-26	BEARING, FLANGE

REF NO.	PART NO.	PART NAME
322	533 04 82-75	WASHER, FLAT .752X1.24X.093
323	533 31 38-28	BEARING, ROLL
324	533 04 82-75	WASHER, FLAT
326	533 05 07-95	KEY, HI-PRO 606
327	533 31 38-62	WORM GEAR
330	533 05 37-31	BEARING, SLEEVE
340	533 58 54-23	IMPELLER, ASSY

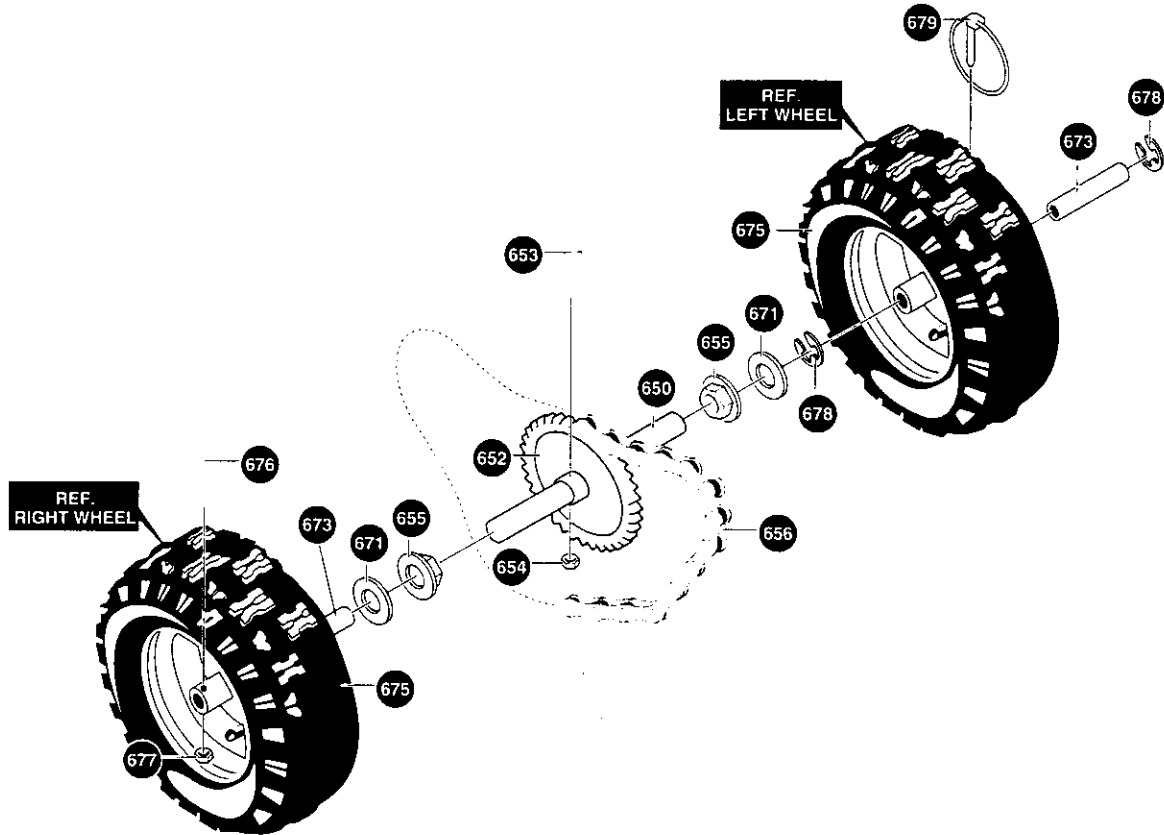
AUGER HOUSING ASSEMBLY



REF NO.	PART NO.	PART NAME
480	533 58 31-46	PULLEY, V4L
482	533 07 13-71	KEY, SQUARE
483	533 07 10-74	WASHER, FLAT .53 X 1.00 X .063
484	533 00 52-51	NUT, 1/2-20
485	533 33 45-14	SPACER, SLEEVE
490	533 58 29-60	RETAINER, BALL
491	533 04 38-46	BEARING, BALL
493	533 18 00-77	SCREW, 5/16-18X .75
499	873 68 05-00	NUT, 5/16-18
500	533 76 06-82	HOUSING, ASSY
509	533 76 00-40	PLUG
510	533 76 06-56	SCRAPER BLADE
511	533 34 07-20	BOLT, 1/4-20X.75CARR.
514	873 68 05-00	NUT, 5/16-18 WHIZ
520	533 76 06-07	AUGER, ASSY LH

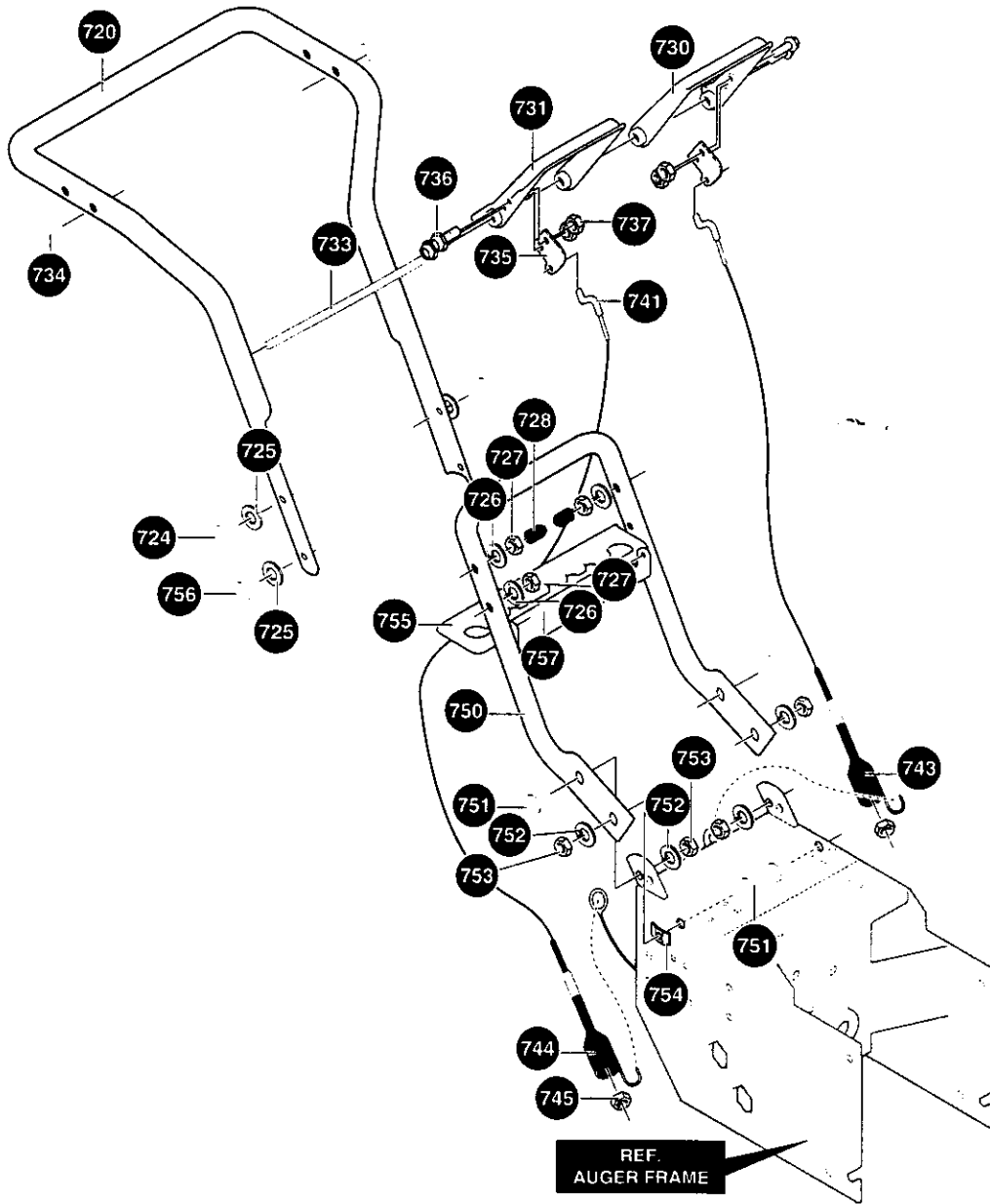
REF NO.	PART NO.	PART NAME
521	533 76 06-08	AUGER, ASSY RH
522	533 00 95-24	SCREW, 1/4-20X1.75
523	533 00 39-43	SPACER, SLEEVE
524	533 07 38-26	NUT, 1/4-20 REGHXCTRLK
525	533 31 38-73	BEARING
526	533 07 37-55	WASHER, FLAT 1.005 X 1.31X.035
527	533 78 29-67	SCREW, 5/16-18X .788
540	533 08 51-05	SKID, HEIGHT ADJUST
541	872 14 06-06	BOLT, 5/16-18X .75
542	734 11 62-71	FLATWASHER .344X .69X.065
543	810 04 05-00	WASHER, .328X.60X.09
544	873 68 05-00	NUT, 5/16-18 REGHEX

WHEELS ASSEMBLY



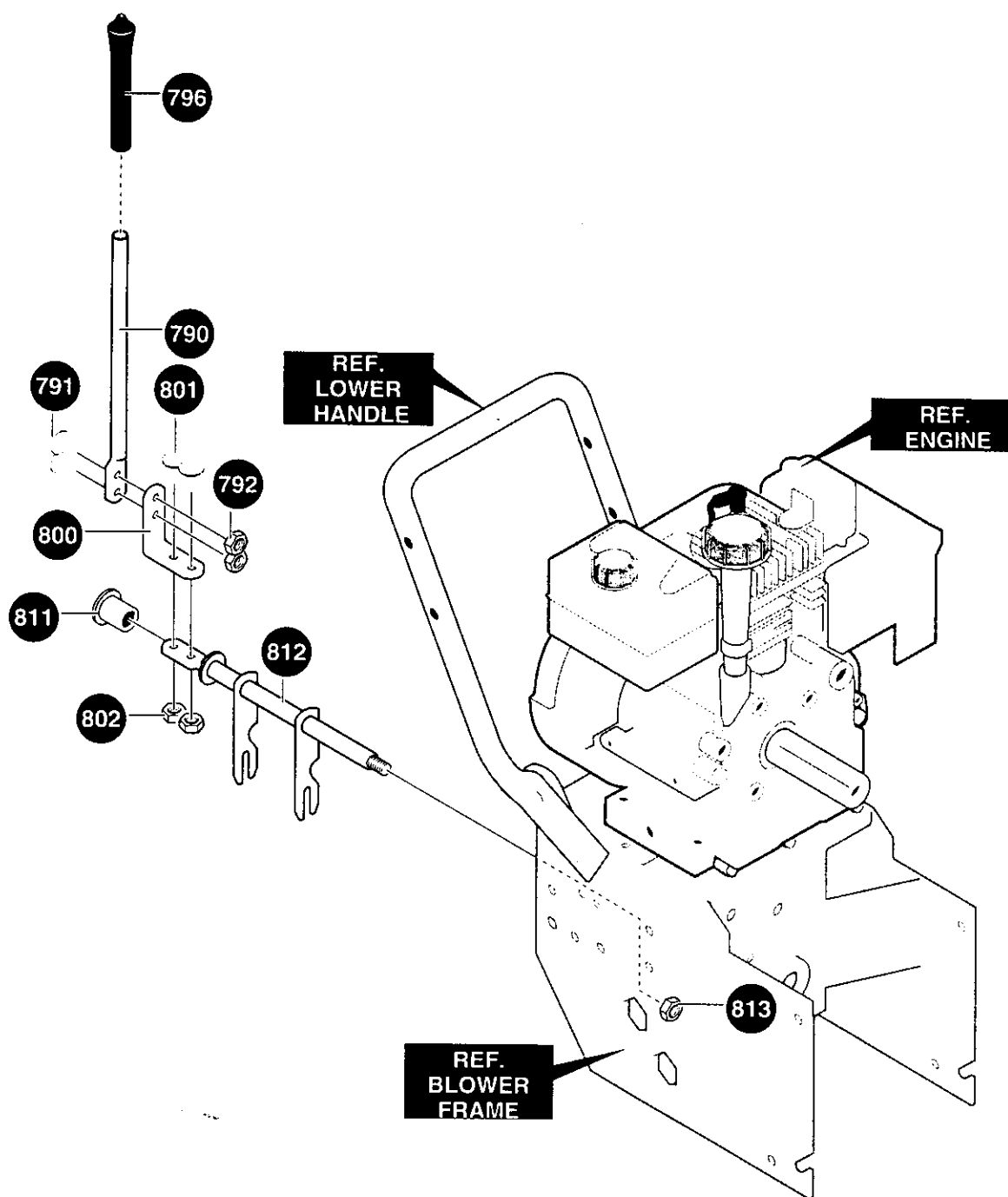
REF NO.	PART NO.	PART NAME
650	533 58 30-17	SHAFT, AXLE
652	533 58 30-07	SPRKT & HUB
653	533 07 38-39	SCREW, 1/4-20X2.25
654	533 07 10-35	NUT, 1/4-20
655	533 58 17-30	BRNG, FLANGE
656	533 58 30-13	CHAIN, ROLLER
671	533 00 61-04	FLATWASHER .765X1.12X.06
673	533 58 55-91	BUSHING, WHEEL
675	533 58 03-62	TIRE & RIM
676	533 57 70-15	SCREW, 1/4-20X1.75 HH
677	533 07 38-26	NUT, 1/4-20 REGHXCTRLK
678	533 00 02-39	RING, RET
679	533 07 38-42	PIN, KLIK .25 X 1.38 DIA

HANDLE ASSEMBLY



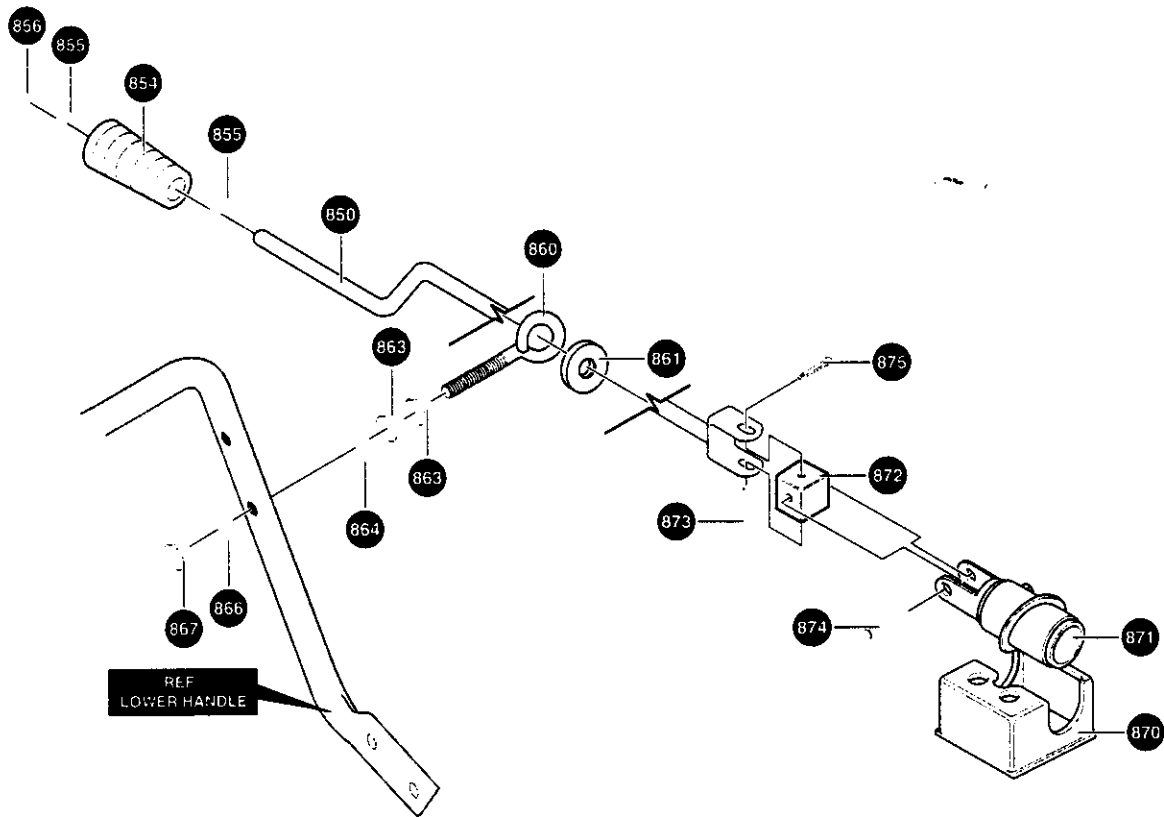
REF NO.	PART NO.	PART NAME	REF NO.	PART NO.	PART NAME
720	533 83 58-30	HANDLE, UPPER	750	533 54 18-30	HANDLE, LOWER
724	533 01 12-34	SCREW, 5/16-18X2.75	751	533 18 00-79	SCREW, 5/16-18X1.00
725	734 11 62-71	WASHER, FLAT	752	810 04 05-00	WASHER
726	810 04 05-00	WASHER, .328X.60X.09	753	873 68 05-00	NUT, 5/16-18 REGHEX
727	873 68 05-00	NUT, 5/16-18 REGHEX	754	533 30 94-36	PUSHNUT, 5/16
728	533 01 12-61	STOP, RED PLASTIC	755	533 33 74-07	BRACKET, GEAR SEL.
730	533 01 10-35	BAIL, LEVER, HANDLE LH	756	533 18 00-87	SCREW, 5/16-18X2.00
731	533 01 10-36	BAIL, LEVER, HANDLE RH	757	533 30 03-03	SCREW, PLASTIC
733	533 01 10-41	PIVOT ROD			
734	533 00 35-35	NUT, PUSH ON CAP			
735	533 30 26-20	PLATE, CABLE PIVOT			
736	533 18 00-21	SCREW, 1/4-20 X .88			
737	533 07 38-26	NUT, 1/2-20			
741	515 40 15-79	CABLE, CLUTCH			
743	533 57 98-69	SPRING, TENSION			
744	515 40 16-73	SPRING, AUGER CLUTCH			
745	533 07 10-35	NUT, 1/4-20 REGHXCTRLK			

SHIFT YOKE ASSEMBLY



REF NO.	PART NO.	PART NAME
790	533 33 67-02	ROD, SHIFT
791	515 47 09-74	SCREW, 1/4-20X.75
792	533 07 38-26	NUT, 1/4-20 RGHXCTRLK
796	533 33 16-24	KNOB
800	533 76 05-64	LEVER, SPRING
801	515 47 09-74	SCREW, 1/4-20X.75
802	533 07 38-26	NUT, 1/4-20 RGHXCTRLK
811	533 57 99-44	BEARING, FLANGE
812	533 58 17-95	ROD, ASSY YOKE
813	873 22 06-00	NUT, 3/8-16 RGHXCTRLK

CHUTE CRANK ASSEMBLY



REF NO.	PART NO.	PART NAME
850	533 58 54-26	CRANK, ASSY
854	533 31 38-49	KNOB, SLEEVE
855	533 07 10-72	WASHER, FLAT .406X .81X.065
856	533 07 36-64	NUT, PUSH ON 3/8"
860	533 58 16-18	BOLT, EYE
861	533 00 01-48	GROMMET, EYE BOLT
863	515 47 10-45	NUT, 3/8-16
864	533 07 10-72	WASHER, FLAT .406X .81X.065
866	533 07 10-72	WASHER, FLAT .406X .81X.065

REF NO.	PART NO.	PART NAME
867	873 22 06-00	NUT, 3/8-16
870	533 58 51-95	BRKT, WORM
871	533 58 51-96	WORM, GEAR CHUTE
872	533 57 80-63	BLOCK, UNIV PIV
873	533 57 83-09	PIN, CLEVIS
874	533 57 80-60	PIN, UNIV JOINT
875	533 57 94-93	PIN, COTTER